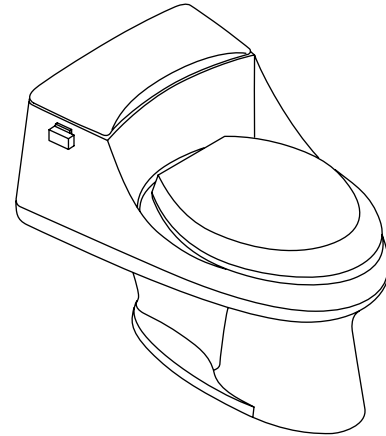


### ELONGATED TOILET K-3466

#### Features

- Vitreous china
- Concealed trapway
- Includes polished chrome trip lever
- Ingenium® flushing system
- Less supply
- 12" (30.5 cm) rough-in
- 1.6 gpf (6 lpf)
- EPDM flapper
- Includes French Curve™ seat and cover
- One-piece elongated bowl
- Brass supply shank
- 11" (27.9 cm) x 8-3/4" (22.2 cm) water area



#### Codes/Standards Applicable

Specified model meets or exceeds the following:

- ASME A112.19.2
- Energy Policy Act of 1992
- CSA B45

#### Colors/Finishes

- 0: White
- Other: Refer to Price Book for additional colors/finishes

#### Accessories

- CP: Polished Chrome
- PB: Vibrant® Polished Brass
- Other: Refer to Price Book for additional colors/finishes

#### Specified Model

Model	Description	Colors/Finishes	
K-3466	Elongated toilet	<input type="checkbox"/> 0	<input type="checkbox"/> Other_____
<b>Optional Accessories</b>			
K-9453	Trip lever - non-CP	<input type="checkbox"/> PB	<input type="checkbox"/> Other_____
1098664	Brass riser kit (when local codes require a rigid water supply)		

#### Product Specification

The elongated one-piece toilet shall be made of vitreous china. Toilet shall have a 11" (27.9 cm) x 8-3/4" (22.2 cm) water area. Toilet shall be 12" (30.5 cm) rough-in and less supply. The toilet shall have concealed trapway. Toilet shall be 1.6 gpf (6 lpf) with Kohler Ingenium® flushing system. Toilet shall have a brass supply shank and EPDM flapper. Toilet shall include polished chrome trip lever and French Curve™ seat and cover. Toilet shall be Kohler Model K-3466-\_\_\_\_\_.

# SAN RAPHAEL™

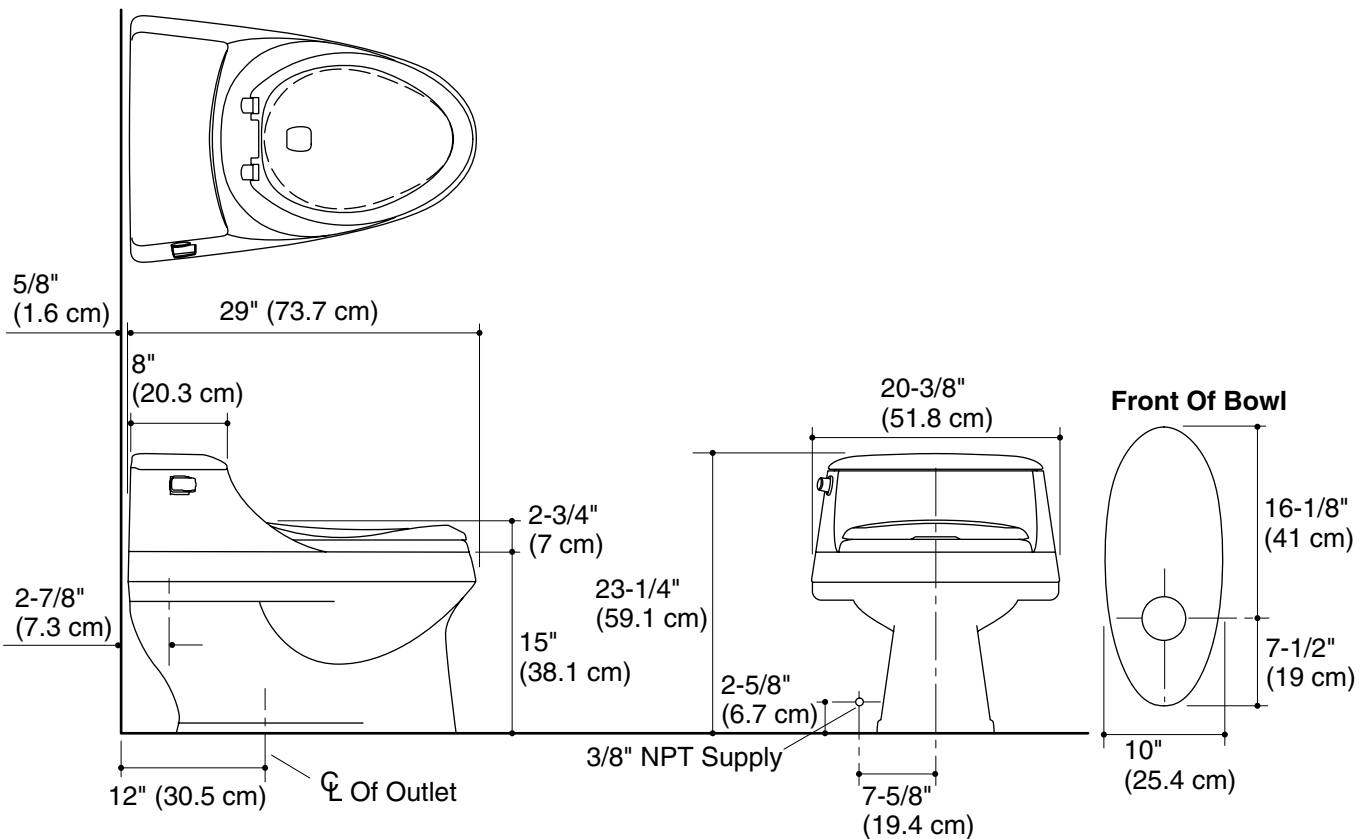
## Technical Information

Fixture:	
Configuration	one-piece, elongated
Water per flush	1.6 gal (6 L)
Passageway	2" (5.1 cm)
Water area	11" (27.9 cm) x 8-3/4" (22.2 cm)
Water depth from rim	5-1/4" (13.3 cm)
Seat post hole centers	5-1/2" (14 cm)

Included components:	
Seat	K-4713
Tank cover	1010658
Trip lever	K-9453
Bolt cap accessory pack	1013092
Tank accessory pack	84301

## Installation Notes

Install this product according to the installation guide.



## Product Diagram